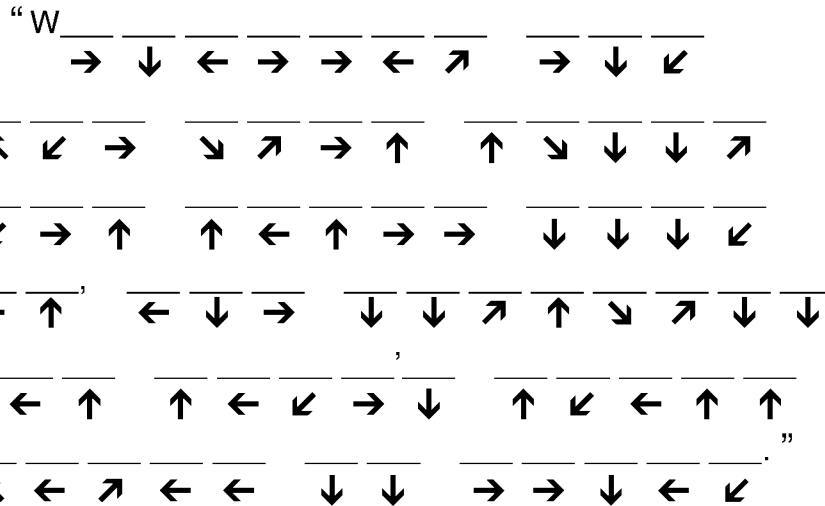
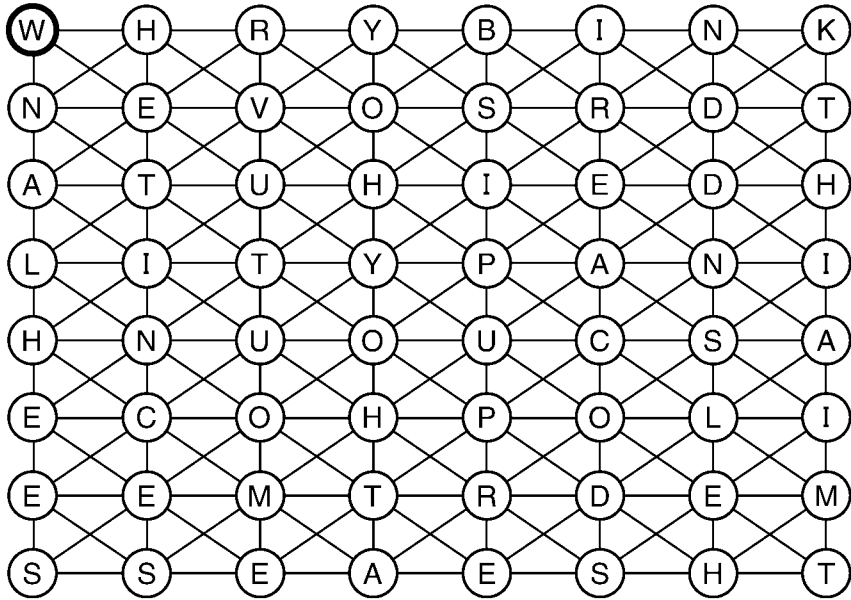




Jesus wants us always to remember Him.



Starting with W, follow the direction arrows through the grid to find Christ's message.



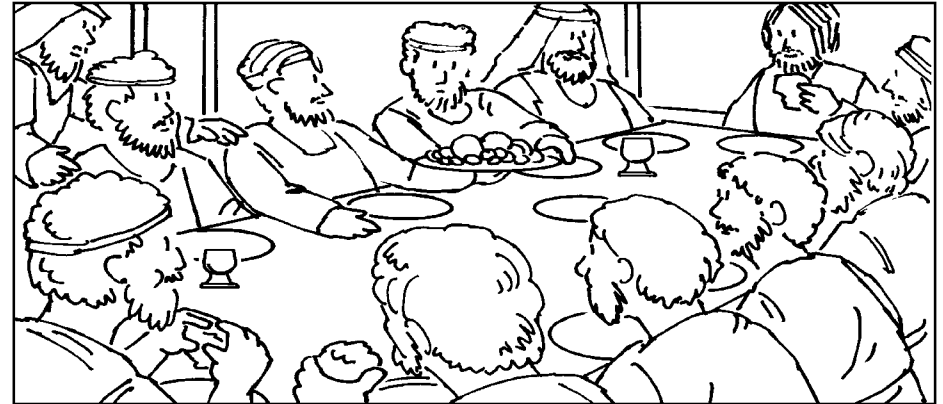
Ages 7+

August 7, 2022 • 1 Corinthians 11:23-26

# The Lord's Supper

Jesus ate the Passover dinner with His disciples the evening before He was crucified.

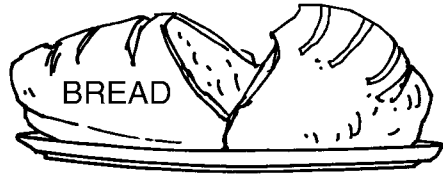
Find 6 things that are different in the second picture.



First Presbyterian Church of El Campo

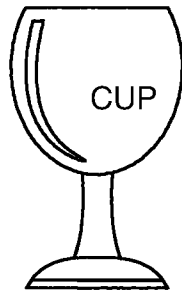
2 items in the meal had special significance.

Follow the directions to transform each item into what it meant.



- 1) Move the R to make facial hair \_\_\_\_\_
- 2) Change E to O to make a piece of wood \_\_\_\_\_
- 3) Change AR to L to make courageous \_\_\_\_\_
- 4) Add LY at the end to tell how a hero behaves \_\_\_\_\_
- 5) Remove both L's \_\_\_\_\_

The \_\_\_\_\_ of Christ



- 1) Change P to D to make something a cow chews \_\_\_\_\_
- 2) Change U to O to make a kind of fish \_\_\_\_\_
- 3) Change C to G to make the One we worship \_\_\_\_\_
- 4) Add an O to make the opposite of bad \_\_\_\_\_
- 5) Change the G to BL \_\_\_\_\_

The \_\_\_\_\_ of Christ

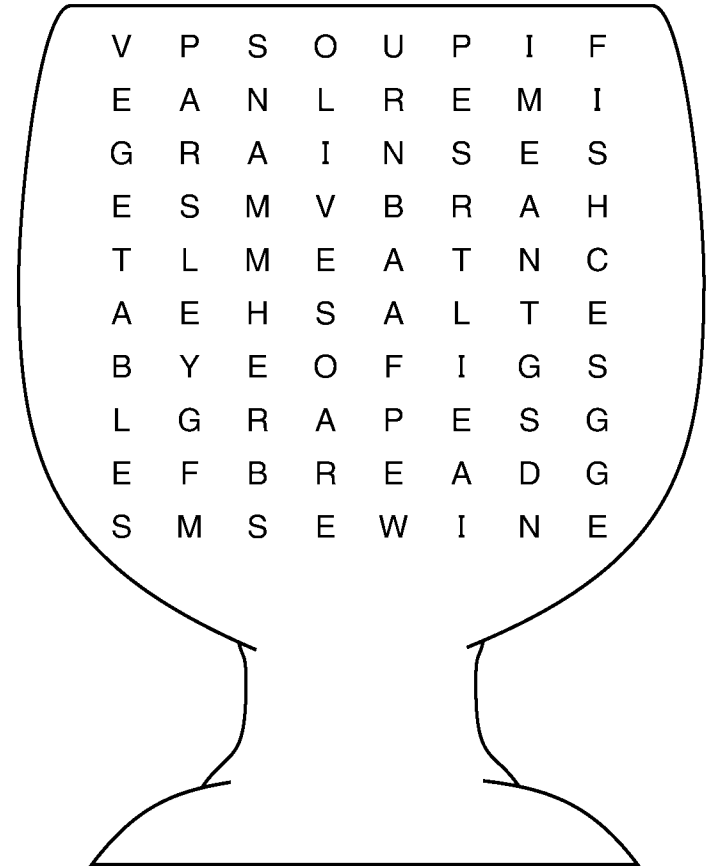


The bread and the cup were always to remind people about Jesus.



Find and cross out names of 14 foods that may have been on the Passover dinner table. Put the remaining letters in order into the blanks to complete Jesus' command.

bread	fish	herbs	parsley	vegetables
eggs	grains	meat	salt	wine
figs	grapes	olives	soup	



“ Do this \_\_\_\_\_

\_\_\_\_\_.”